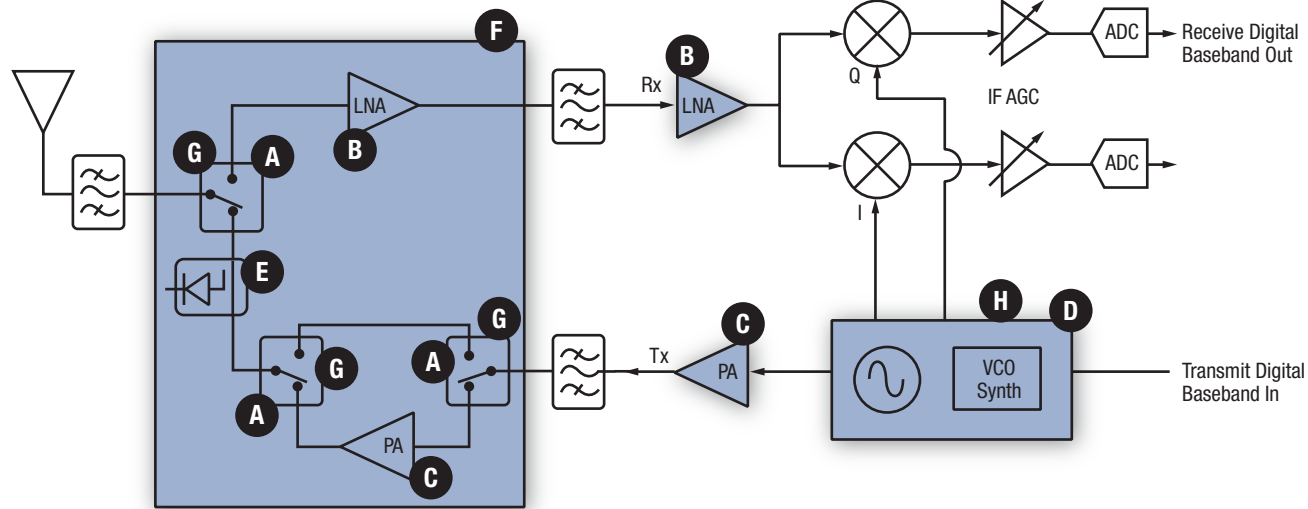


Short Range Radio

Part numbers link to product information



Switches

- A** AS179-92LF
- AS214-92LF
- SKY13268-344LF
- SKY13309-370LF
- SKY13314-374LF
- SKY13318-321LF
- SKY13270-92LF
- AS193-73LF

PIN Diodes

- G** SMP1345-518
- SMP1340-079LF
- SMP1321-508
- SMP1322-017LF
- SMP1320-079LF
- SMP1340-040LF
- SMP1302-079LF

LNAs

- B** SKY65050-372LF
- SKY65047-360LF
- SKY65045-70LF

Power Drivers/Amplifiers

- C** SKY65009-70LF
- SKY65028-70LF
- SKY65111-348LF
- SKY65006-348LF
- SKY65116
- SKY65131
- SKY65146
- SKY65152
- SKY65045-70LF
- SKY65132
- SKY65135

Synthesizers/PLLs/VCOs

- D** SKY72300-21
- SKY72300-362
- SKY72301-22
- SKY72310-362
- SKY72302-21
- SKY73120

Varactor Diodes

- H** SMV1413-079LF
- SMV1408-001LF
- SMV1405-079LF
- SMV1247-011LF
- SMV1249-079LF
- SMV1251-001LF
- SMV1253-079LF
- SMV1255-011LF
- SMV1235-079LF
- SMV1763-079LF
- SMV1142-011LF
- SMV1236-004LF
- SMV1233-011LF

Schottky Diodes

- E** SMS7630-079LF
- SMS7630-061
- SMS7621-079LF
- SMS7621-060
- SMS3926-023LF
- SMS3927-023LF
- SMS3928-023LF
- SMS7630-040LF
- SMS7621-040LF

Tx/Rx Front-End Modules

- F** SKY65326
- SKY65329
- SKY65336
- SKY65337
- SKY65338
- SKY65343-11
- SKY65344-21
- SKY65346-11
- SKY65249
- SKY65352-11
- SKY65266
- SKY65296
- SKY65342