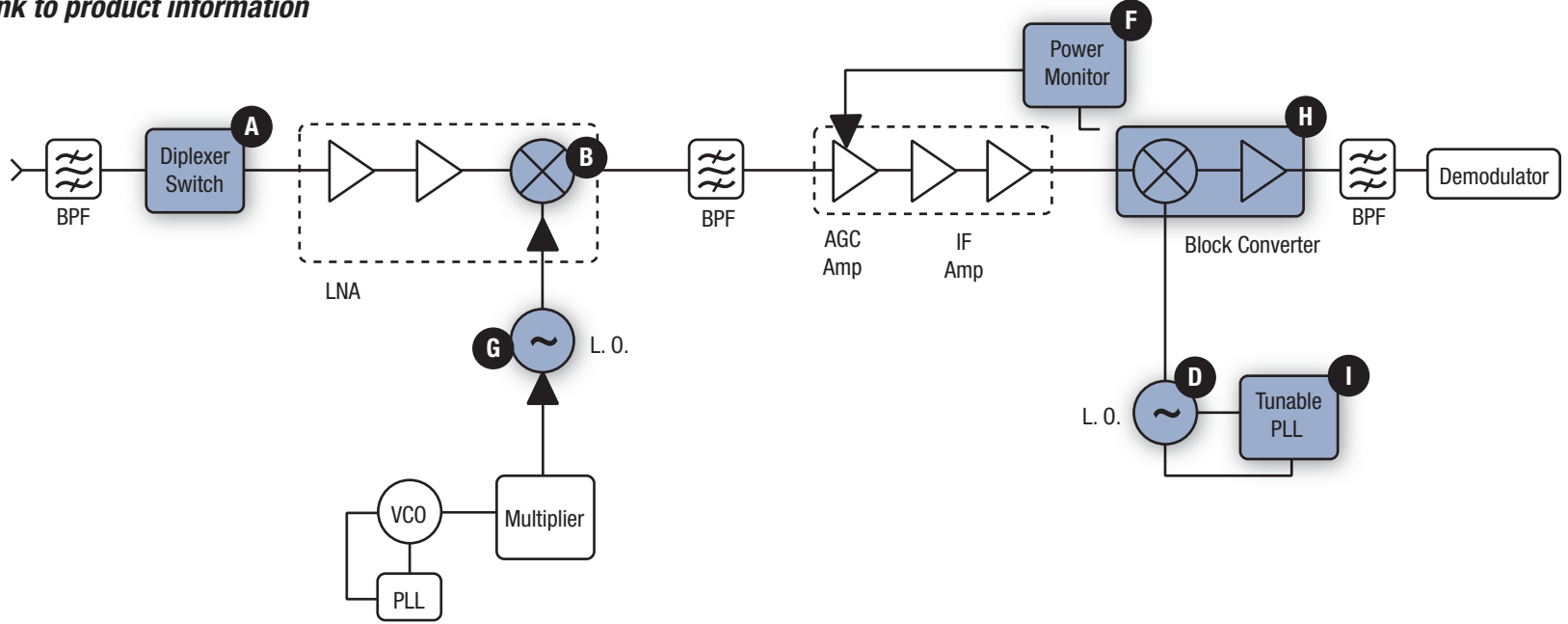


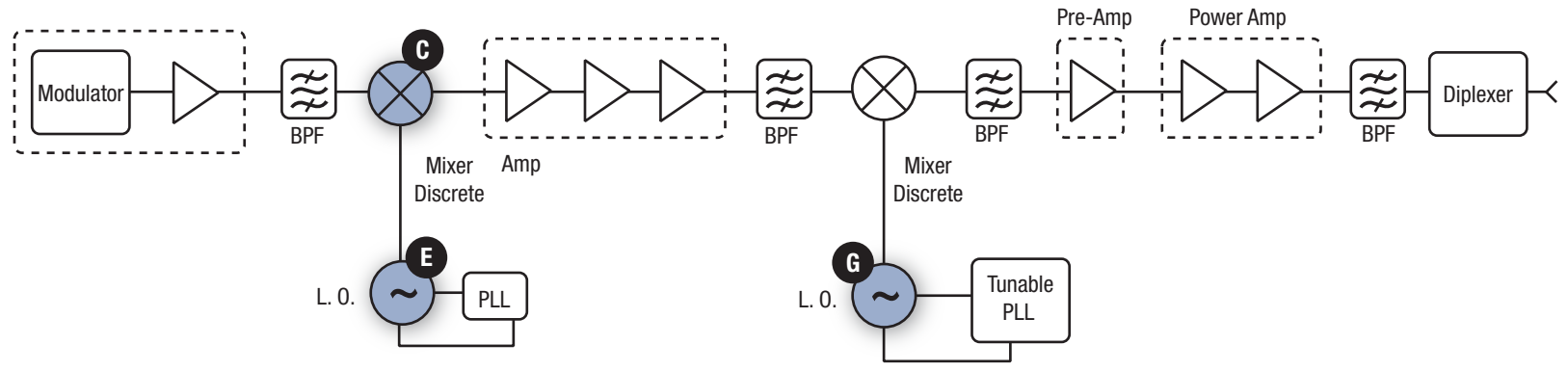
Satellite Systems

Part numbers link to product information

Receiver
 Nominal Frequency:
 5.9–6.4 GHz
 10.5–12.5 GHz
 19.5–20.0 GHz



Transmitter
 Nominal Frequency:
 5.9–6.4 GHz
 14.0–14.5 GHz
 29.5–30.0 GHz



PIN Diodes

A SMP1321-005LF

Schottky Diodes

B SMS7621-005LF

C SMS3926 Series

F SMS7621-079LF
 SMS7630-061
 DMK2308-000
 SMS7621-040LF

Varactor Diodes

D SMV1265-011LF

E SMV1142-011LF

G SMV2019-079LF
 SMV1430-079LF

Upconverters

H SKY73032
 SKY73033
 SKY42068

Synthesizer/PLL

I SKY72310
 SKY73100
 SKY73101
 SKY73103
 SKY73112