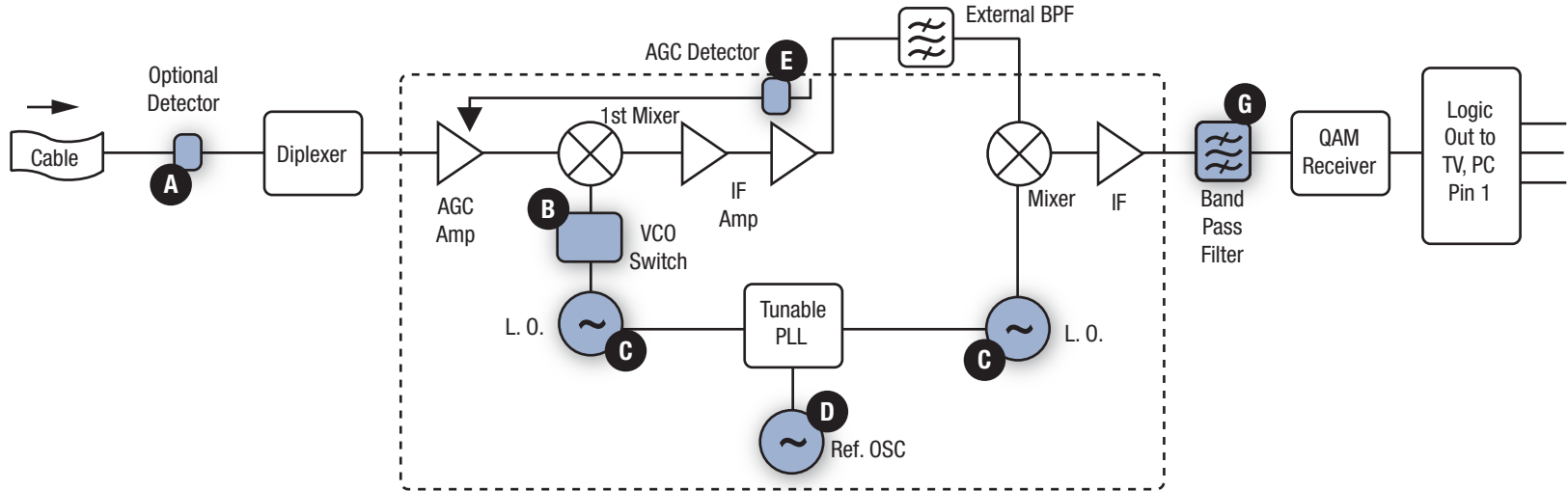


# CATV Modem

Part numbers link to product information

## Receiver

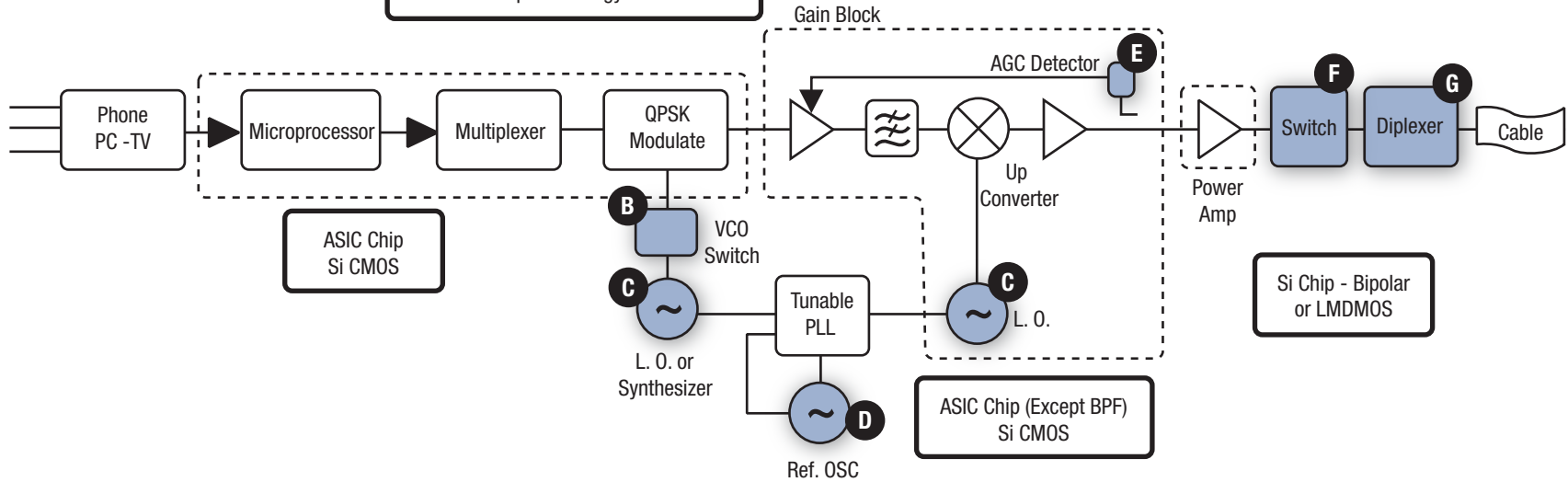
Nominal Frequency:  
70 MHz–1 GHz



ASIC Chip Technology Si CMOS

## Transmitter

Nominal Frequency:  
5–70 MHz



ASIC Chip Si CMOS

ASIC Chip (Except BPF) Si CMOS

Si Chip - Bipolar or LDMOS

### PIN Diodes

**A** SMP1330-005LF

**B** SMP1321-079LF  
SMP1321-040LF

### Varactor Diodes

**C** SMV1265-011LF

**D** SMV1213-079LF

### Schottky Diode

**E** SMS7621-079LF  
SMS7621-040LF

### PIN Diodes/Switches

**F** SMP1302-079LF  
SMP1304-011LF  
SMP1307-011LF  
AS188-92LF

### Ceramic Band Pass Filters

**G**